

Earth Station Antenna Model NS-SEC-730 7.3m Antenna

Characteristics:

- Meets or exceeds CCIR 580 and Intelsat requirements;
- Meets Intelsat, Asiasat, Chinasat network access requirement;
- Ring focus designed;
- High gain, Low sidelobe, High G/T rate;
- Hot-dip zinc processed steel parts, with strong corrosion resistant ability;



Optional Characteristics:

- X band, C band, Ku band, Ka band, S band, customized frequency available;
- Limited-motion/Semi-turntable/Full-motion optional.
- Rx/Tx or 2Rx/2Tx;
- Two(2) and Three(3) Axis Motorization kit;
- Lightning protection;
- De-icing for Reflector and Sub reflector;
- Single speed or dual speed controller.

RF SPECS	NS-SEC(C)-730		NS-SEC(Ku)-730		NS-SEC(Ka)-730	
Frequency	3.625~4.2GHz	5.85~6.425GHz	10.95~12.75GHz	13.75~14.5GHz	17.7~21.2GHz	27.5~31GHz
Gain, dBi	47.38@ 3.95GHz	51.29@6.2GHz	57.38@12.5GHz	58.52@14.25GHz	61.07@19.95GHz	64.54@29.75GHz
Polarization	Circular/Linear		Linear		Circular/Linear	
Cross-pol, on Axis			≥35dB			
VSWR	1.25:1	1.25:1	1.25:1	1.25:1	1.25:1	1.25:1
Axial ratio 2 port	1.3dB	1.09dB	/	/	/	1.25 dB
Axial ratio 4 port	1.06dB	1.06dB	/	/	/	1 dB
Feed insertion loss	≤0.3dB	≤0.3dB	≤0.3dB	≤0.3dB	≤0.6dB	≤0.6dB

Antenna Noise Temperature

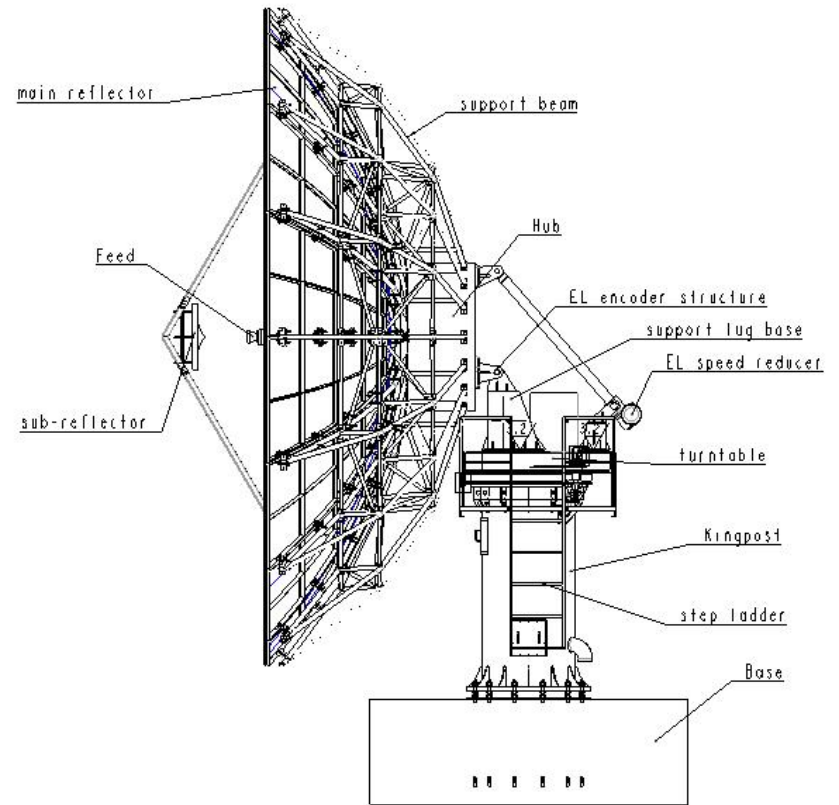
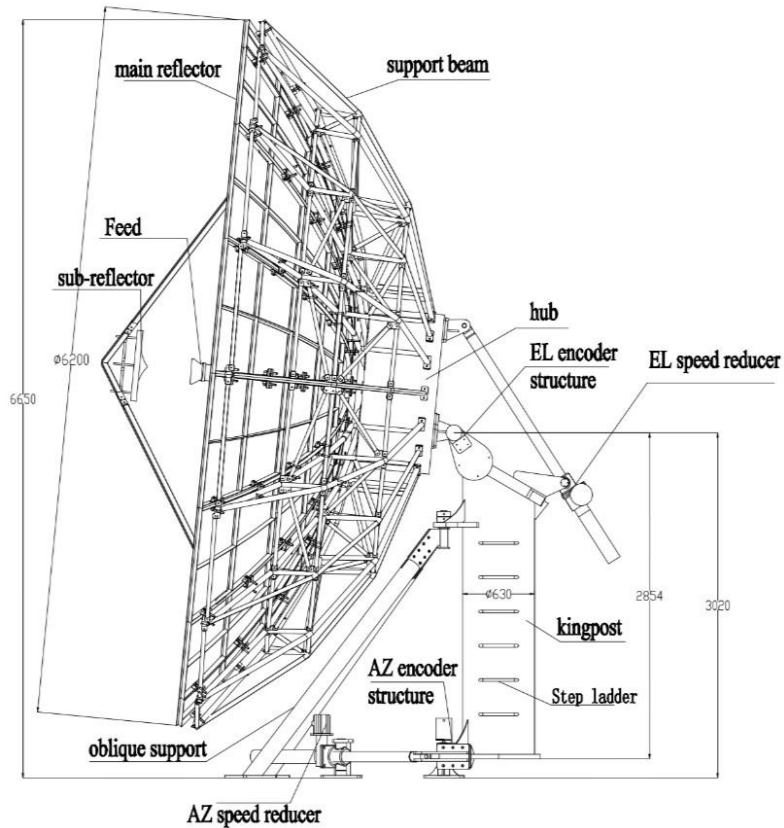
10° Elevation	43 K		66K		107 K	
30° Elevation	32K	/	52K	/	68K	/
50° Elevation	29 K		47K		63K	
-3dB Beam width	0.7°	0.45°	0.22°	0.195°	0.145°	0.1°
Power capacity	/	5KW	/	2KW	/	5KW
Feed interface	CPR-229G	CPR-137G	WR-75	WR-75	WR-42	WR-28
Isolation, Rx to Tx,	85 dB		85 dB		85 dB	
First Sidelobe	≤-14dB		≤-14dB		≤-14dB	
90% Peaks under Following envelop	29 - 25 logθ(1° ≤θ<20°)		29 - 25 logθ(1° ≤θ<20°)		29 - 25 logθ(1° ≤θ<20°)	

MECHANICAL SPECIFICATIONS

Antenna Diameter		7.3m
Antenna travel range	AZ	±70° (Truss type), 0° ~355° continuous(turtable type)
	EL	5° ~90°
	Pol	±90°
Antenna Type		Ring focus
Structure		LMC/FMC
Drive Mode		Manual/Motorized
Surface accuracy(R.M.S)		≤0.5mm(C/Ku)
		≤0.3mm(Ka)

ENVIRONMENT SPECIFICATIONS

Working wind speed	72km/h
Suvival wind speed	216km/h
Humidity	100%
Ice load	Icing 13mm: normal work Icing 25mm, no damage
Temperature	-30~50°C
Seismic capacity	Horizontal: 0.3G; vertical: 0.1G
Working wind speed	72km/h



Antenna package:

Total: 7 packages, dimension: 36.15 CBM, gross weight: 5210kg;
Loading capacity: 1 set for 40GP container.

Note:

Weight and dimensions for reference only;
Can vary depends on options choosen;
Please confirm with us prior to any shipment.